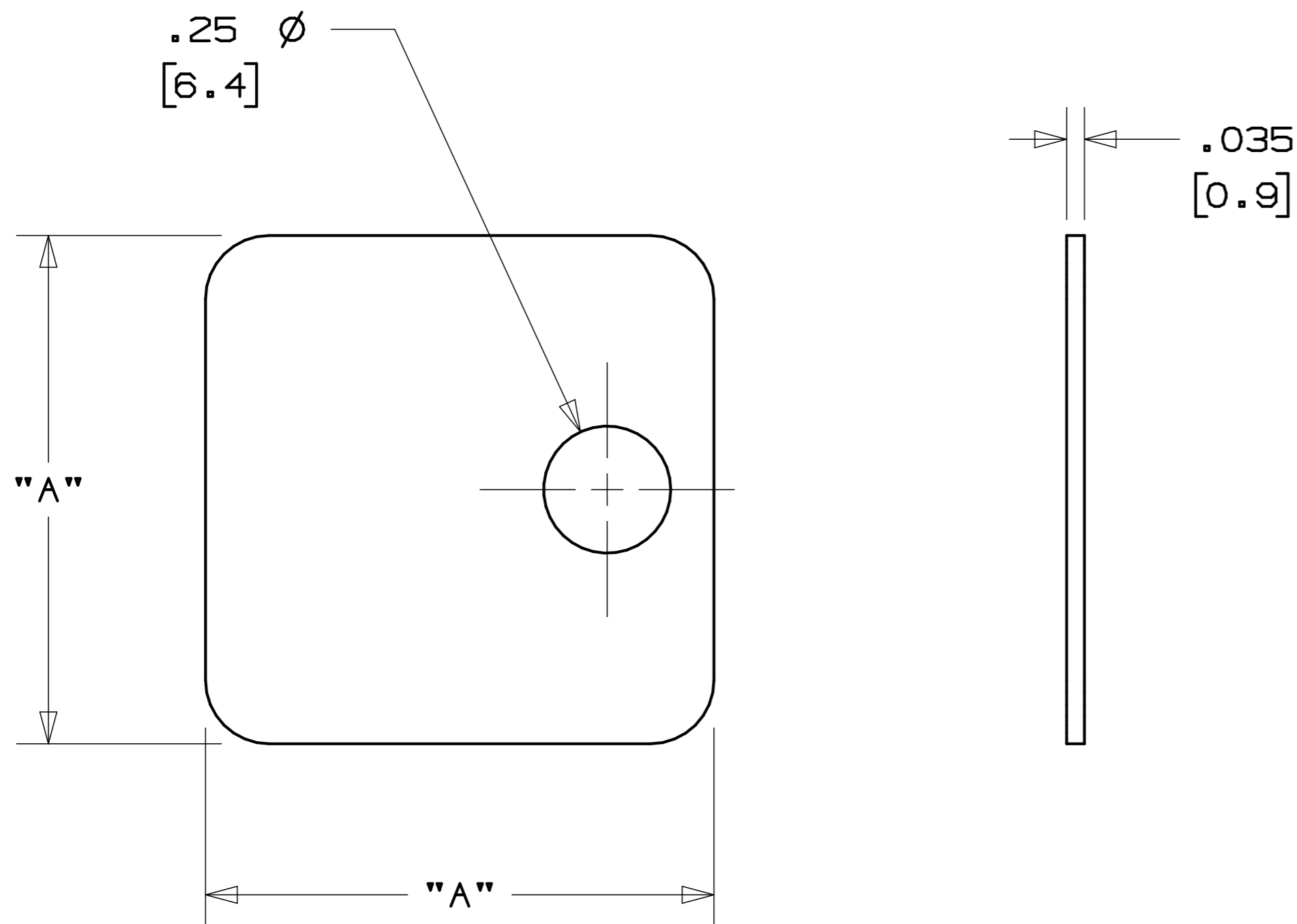


THIS COPY IS PROVIDED ON A RESTRICTED BASIS AND IS NOT TO BE USED IN ANY WAY DETRIMENTAL TO THE INTERESTS OF PANDUIT CORP.

PANDUIT PART NO.	PACKAGE QTY.	PART MATERIAL	DIM. "A" ±.02" [.5]
MT1S-Q	25	304 S.S. BRIGHT ANNEALED	1.00" [25.4]
MT125S-Q	25	304 S.S. BRIGHT ANNEALED	1.25" [31.7]



NOTES:

- CUSTOM PERMANENT MARKING AVAILABLE, CONSULT FACTORY.
- UNLESS OTHERWISE SPECIFIED TOLERANCES:
 .XXX = ±.010 [.25]
 .XX = ±.02 [.5]
- [] DENOTES DIMENSIONS IN MILLIMETERS

S41221_01

					PANDUIT CORP. TINLEY PARK, ILLINOIS				
01	1/06	JAMB	SKB	ADDED PACKAGING CODE "Q" TO PART NO'S.	SS00136	SQUARE 1-HOLE STAINLESS STEEL METAL TAG CUSTOMER DRAWING			
00	1/06	JAMB	SKB	DRAWING RELEASED	SS00130				
REV	DATE	BY	CHK	DESCRIPTION	ECN #	DRAWN BY JAMB	CHK'D SKB	SCALE 2x	DRAWING NO. S41221